

DESIGN

PURCHASE

CONSTRUCT

ENJOY

OZCO Project #318 IW- 12x12 Vineyard Pergola 4x4 Post Anchors



OZCO BUILDING PRODUCTS

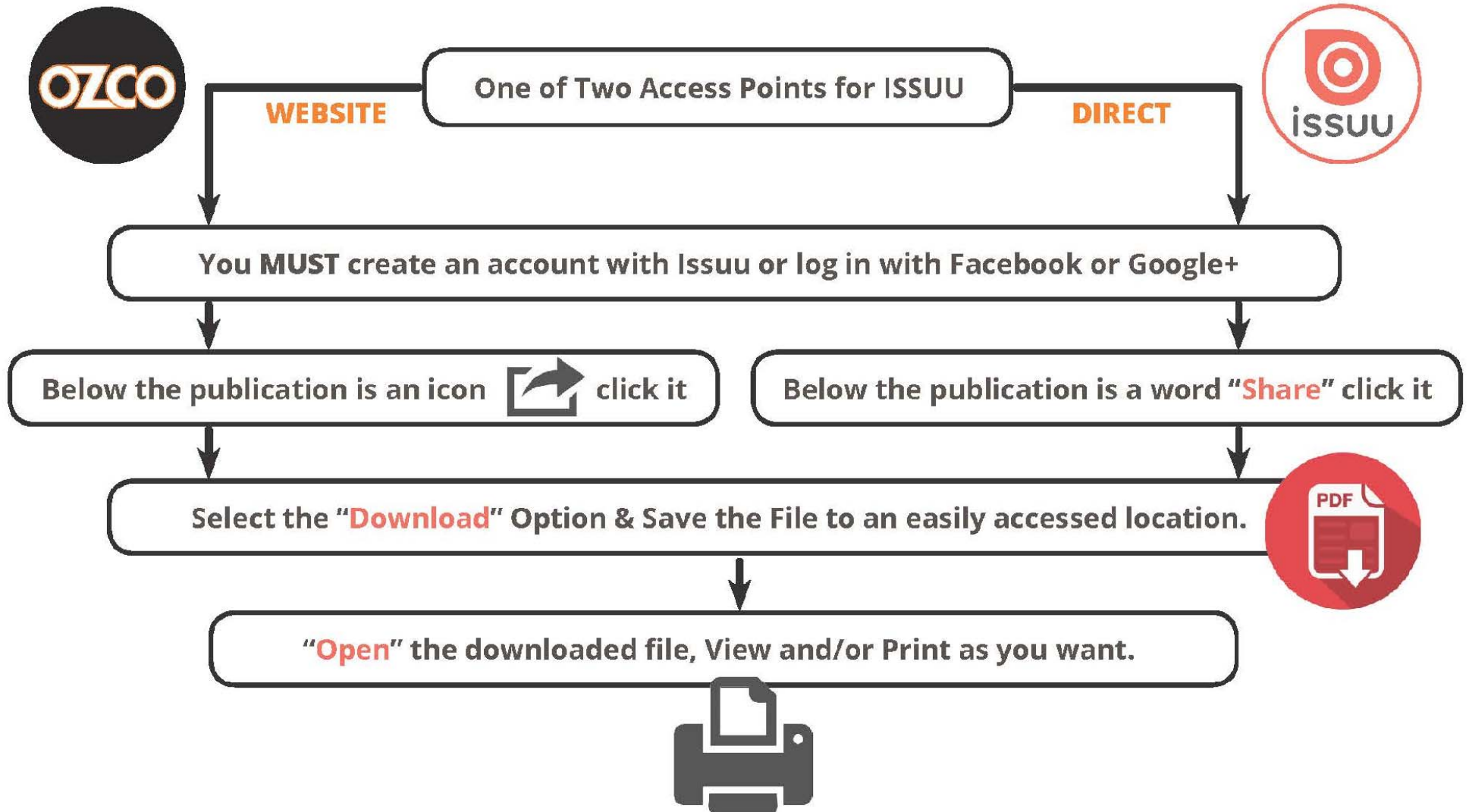
OZCO Project #318 IW- 12x12 Vineyard Pergola 4x4 Post Anchors

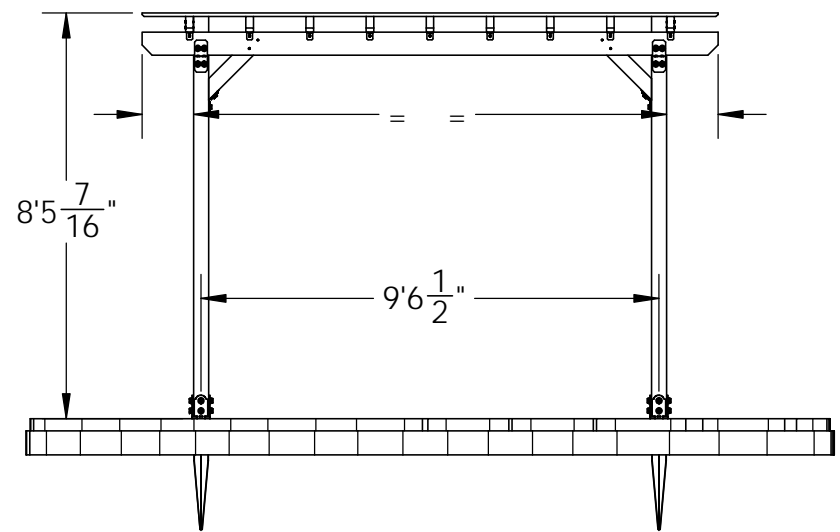
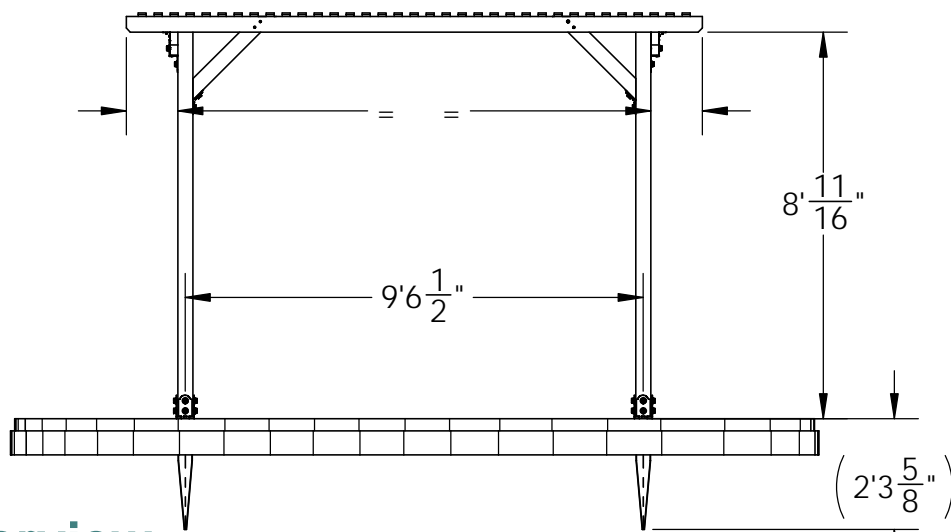
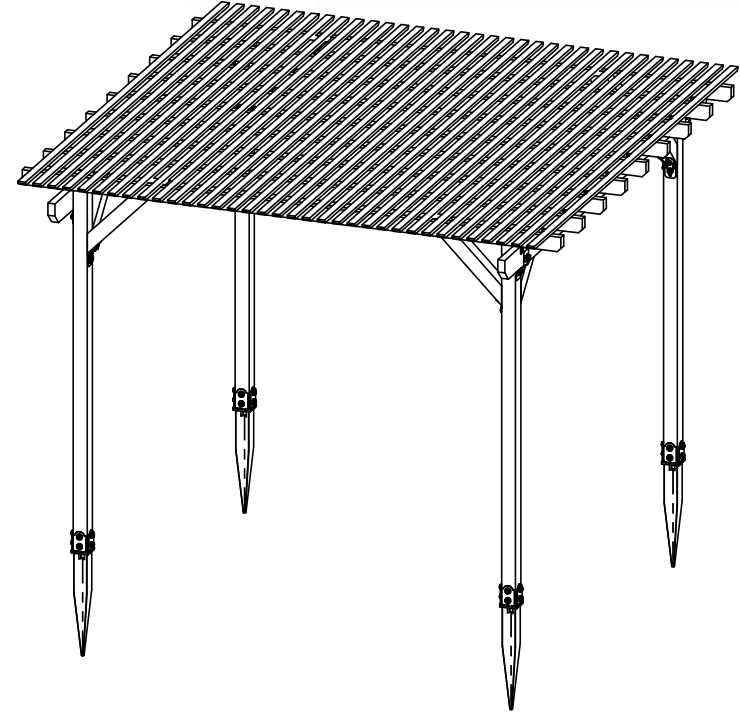
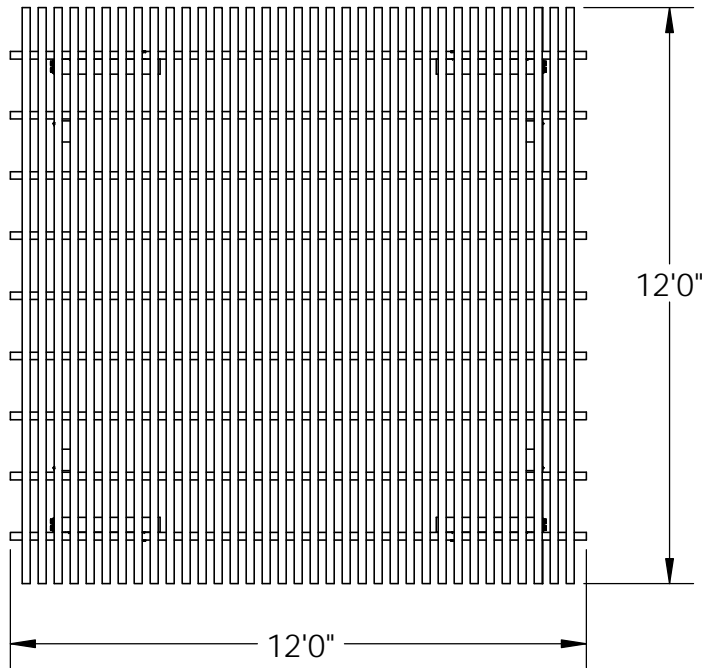
V1.00 - Installation Instructions effective May 1, 2015 and reflects information that available as of April 10, 2014. This information is updated periodically and should not be relied upon after May 1, 2015. Please visit www.OZCOBP.com to get current information



Printing Documents from ISSUU

Unfortunately, there is currently no way to print content directly through issuu. To print a publication, you will need to download it and print it from your computer.

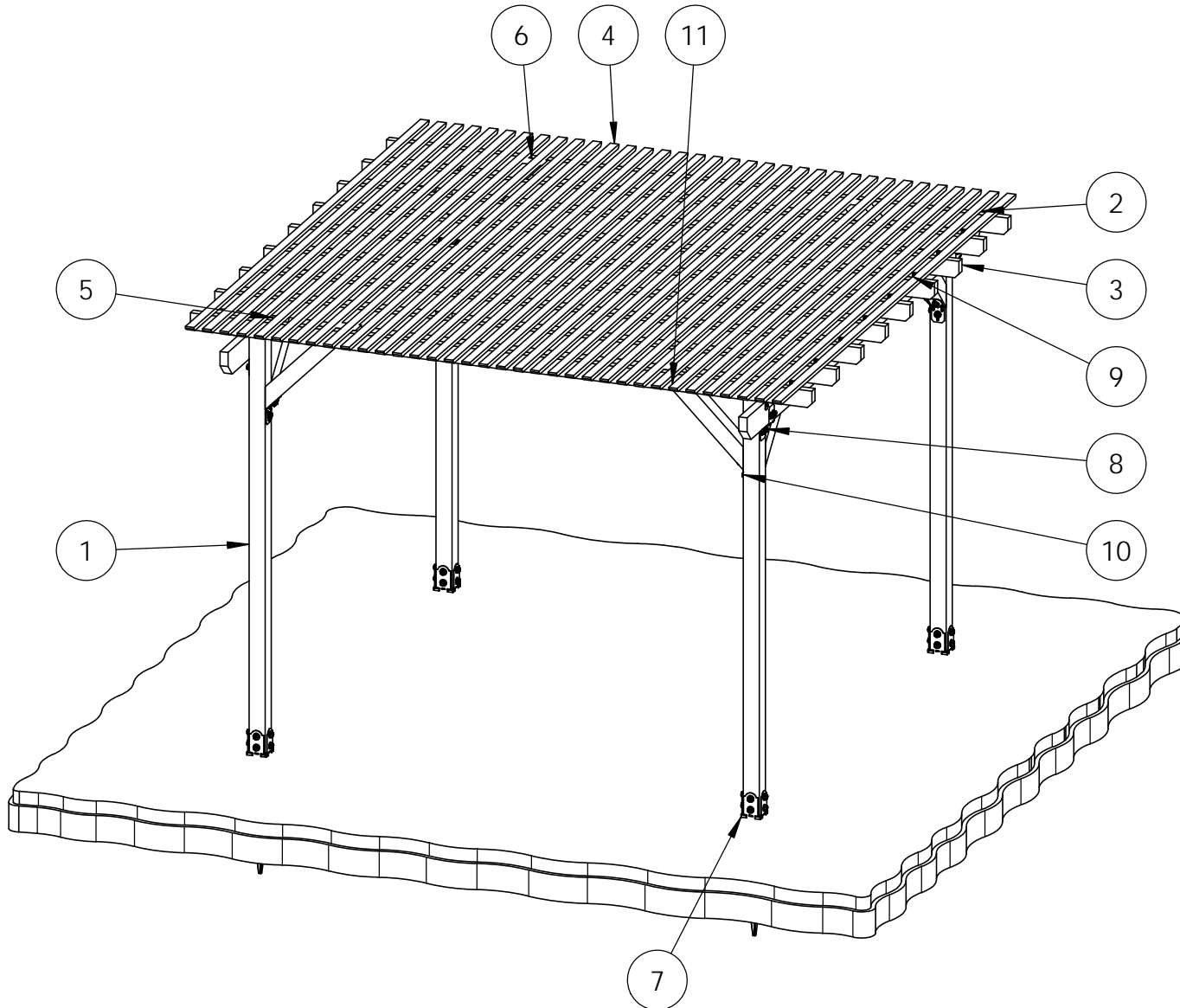




Overview

OZCO Project #318 IW- 12x12 Vineyard Pergola 4x4 Post Anchors

V1.00 - Installation Instructions effective May 1, 2015 and reflects information that available as of April 10, 2014. This information is updated periodically and should not be relied upon after May 1, 2015. Please visit www.OZCOBP.com to get current information



ITEM NO.	QTY.	PART NUMBER	DESCRIPTION
1	4	4x4 Cedar Post	4x4x8'0"
2	2	2x6 Cedar Board	2x6x12'0"
3	9	2x4 Cedar Board	2x4x12'0"
4	35	1x2 Cedar Board	1x2x12'0"
5	4	4x4 Cedar Support	4x4x2'0"
6	4	4x4 Cedar Support	4x4x2'5 1/2"
7	4	56632	4x4 Post Anchor Kit (4x4-OPAK-LS)
8	2	51775	4" Post to Beam (P2B-IW-4)
9	2	51717	8" Post to Beam (P2B-IW-8)
10	2	51768	4" Flush Inside 45 (FI45-IW-4)
11	1	56627	OWT Timber Screw 3-3/4"

Bill of Material

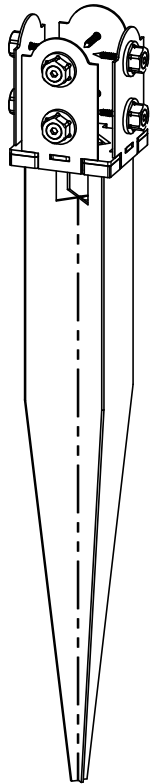
OZCO Project #318 IW- 12x12 Vineyard Pergola 4x4 Post Anchors

QTY.	PART NUMBER	DESCRIPTION
4	51707	4x4 Post Base (4x4-PB-IW)
2	51768	4" Flush Inside 45 (FI45-IW-4)
1	56627	OWT Timber Screw 3-3/4"
2	51717	2" Standard Rafter Clip (RC-IW-2)
4	4x4x8L	4x4x8
2	2x6x12L	2x6x12
1	4x4x8L	4x4x8
9	2x4x12L	2x4x12
2	4x4x6L	4x4x6
35	1x2x12L	1x2x12

Material List

OZCO Project #318 IW- 12x12 Vineyard Pergola 4x4 Post Anchors

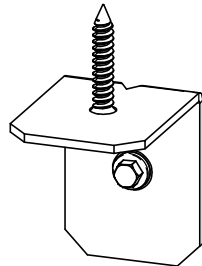
V1.00 - Installation Instructions effective May 1, 2015 and reflects information that available as of April 10, 2014. This information is updated periodically and should not be relied upon after May 1, 2015. Please visit www.OZCOBP.com to get current information



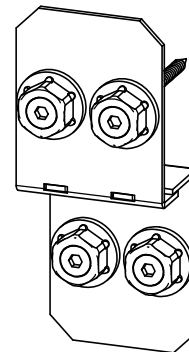
56632



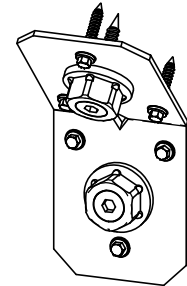
56627



51717

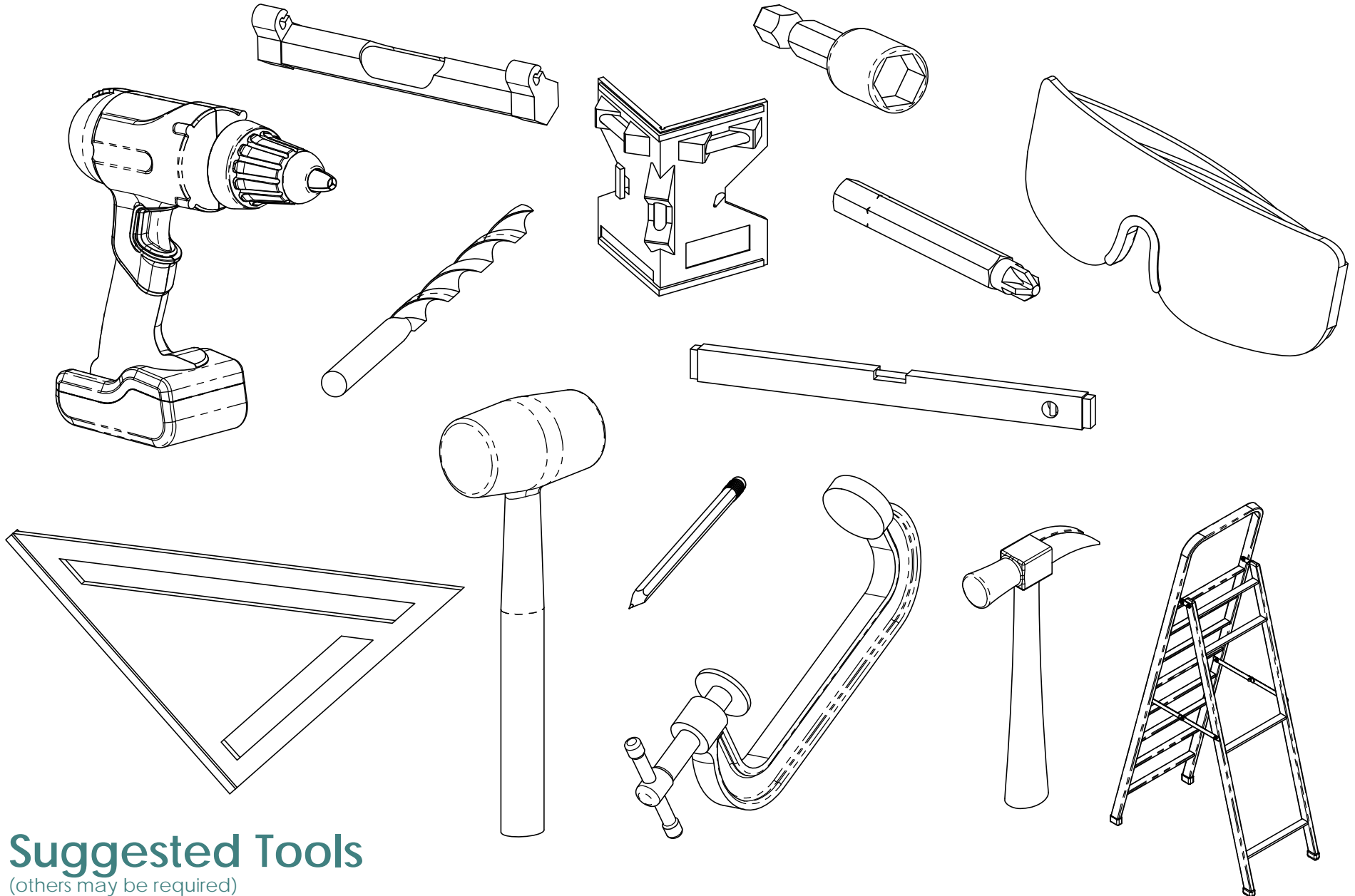


51775



51768





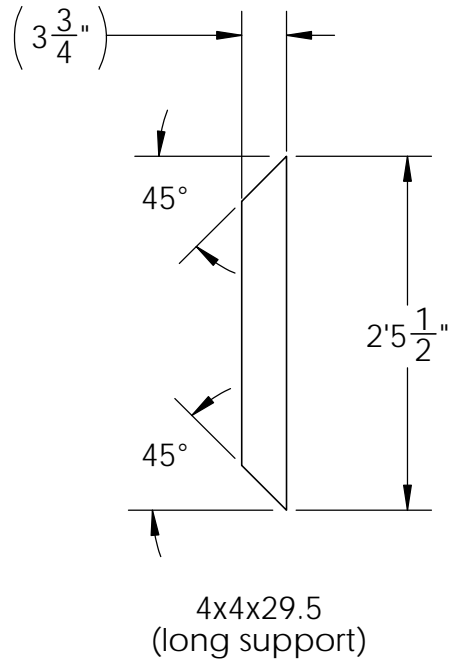
Suggested Tools

(others may be required)

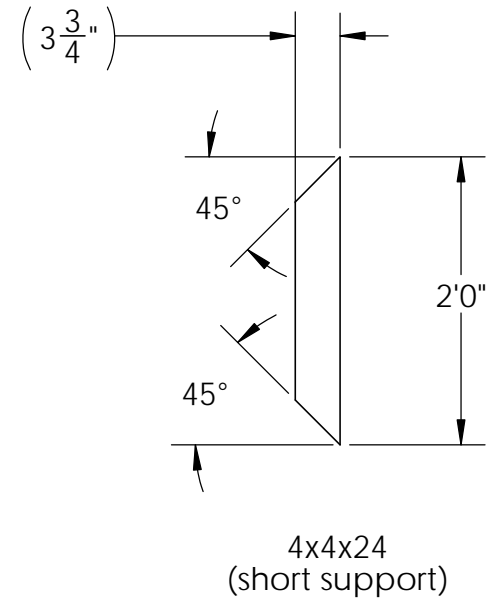
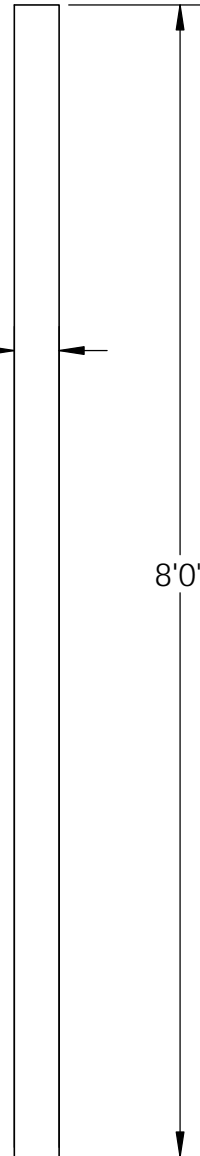
OZCO Project #318 IW- 12x12 Vineyard Pergola 4x4 Post Anchors

V1.00 - Installation Instructions effective May 1, 2015 and reflects information that available as of April 10, 2014. This information is updated periodically and should not be relied upon after May 1, 2015. Please visit www.OZCOBP.com to get current information

4x4x96

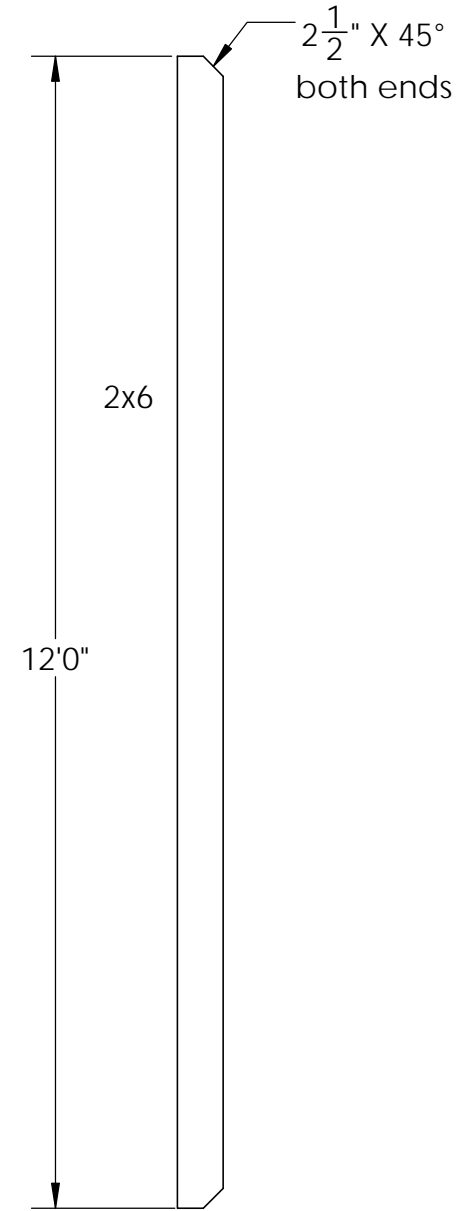
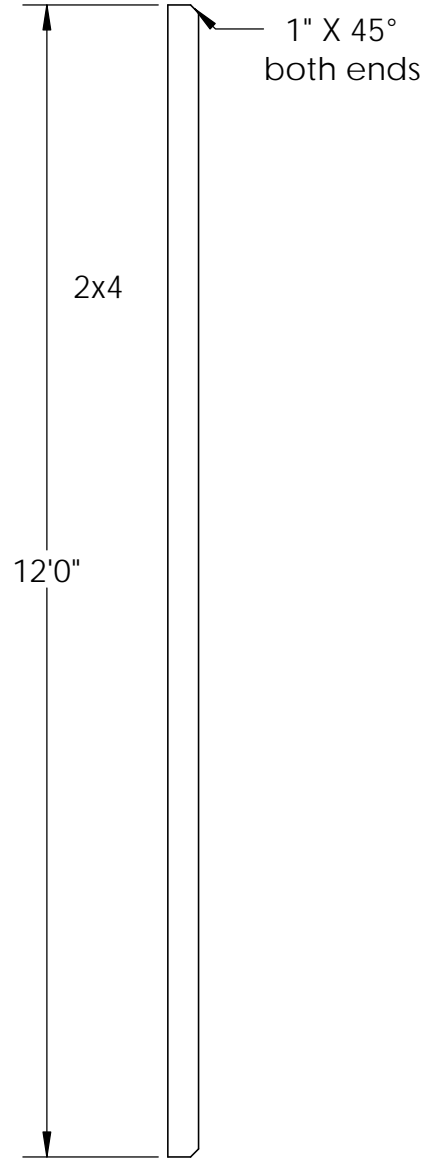
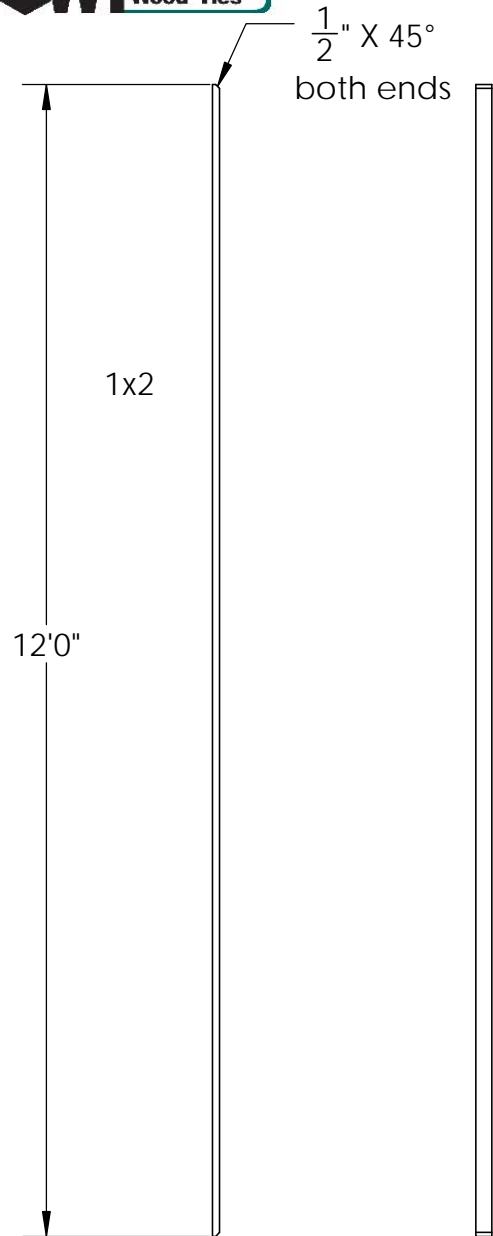


(□ 3 3/4")



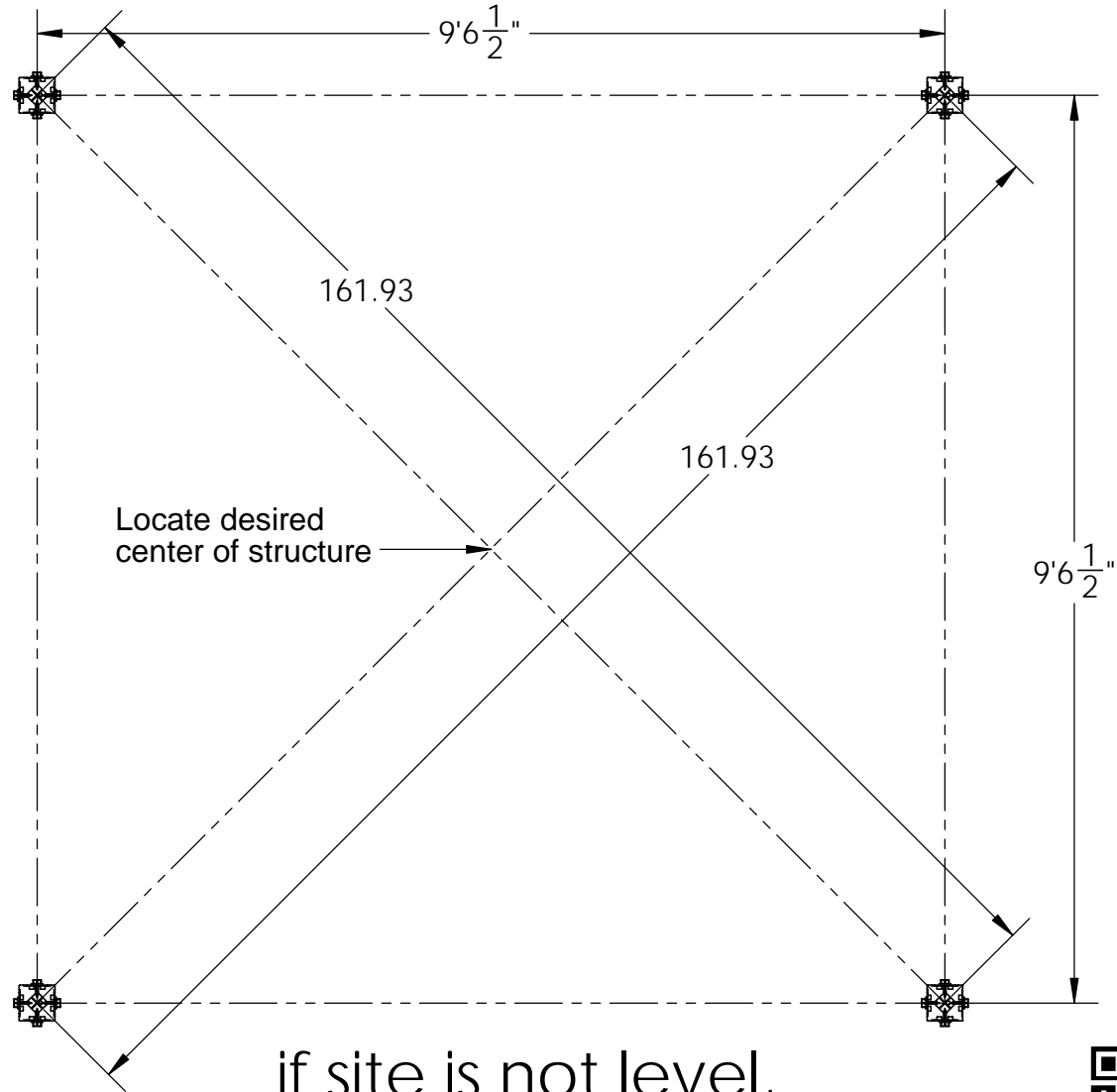
Cutlist

OZCO Project #318 IW- 12x12 Vineyard Pergola 4x4 Post Anchors



Cutlist

OZCO Project #318 IW- 12x12 Vineyard Pergola 4x4 Post Anchors

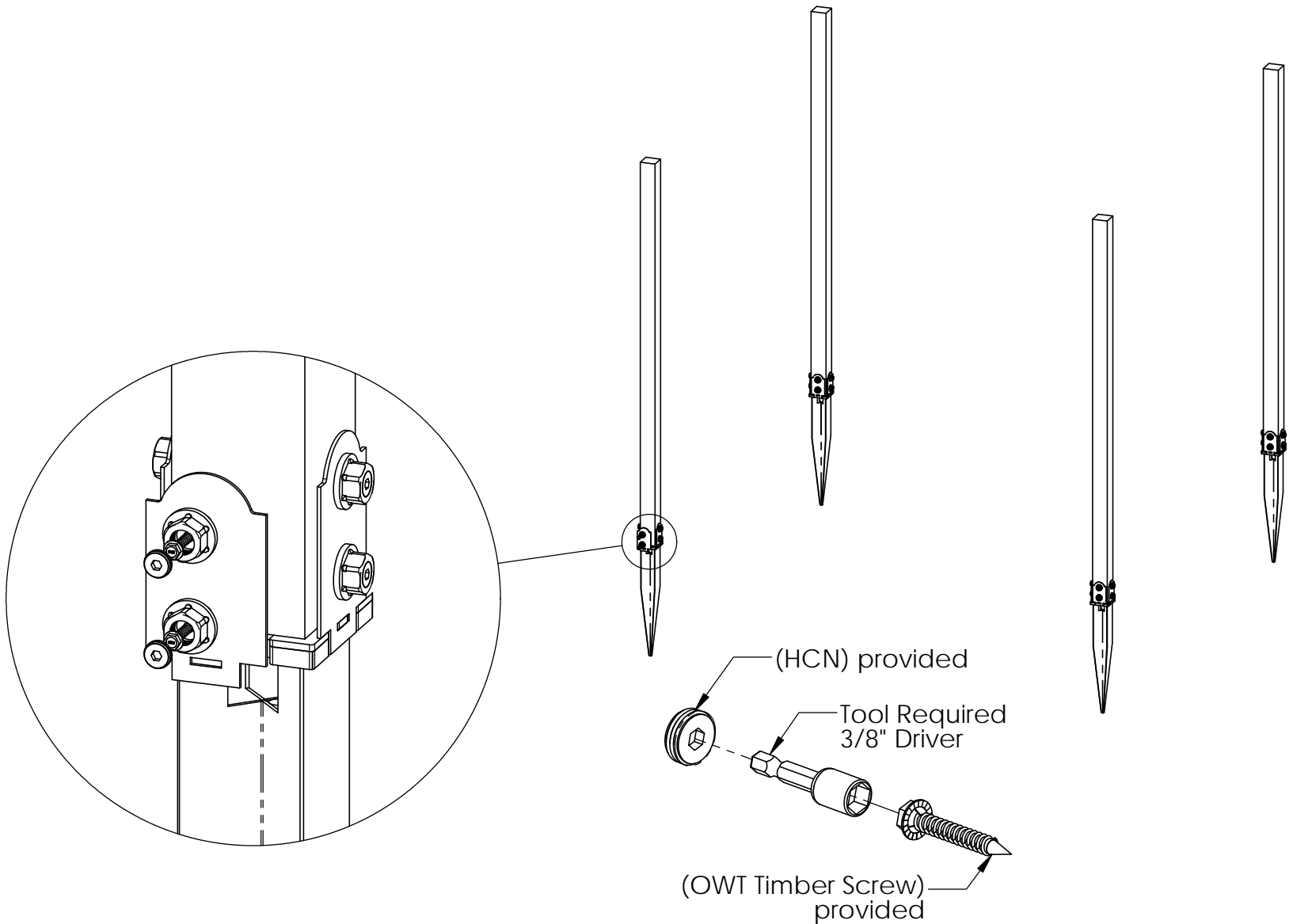


if site is not level,
see Ozco Site Leveling instruction



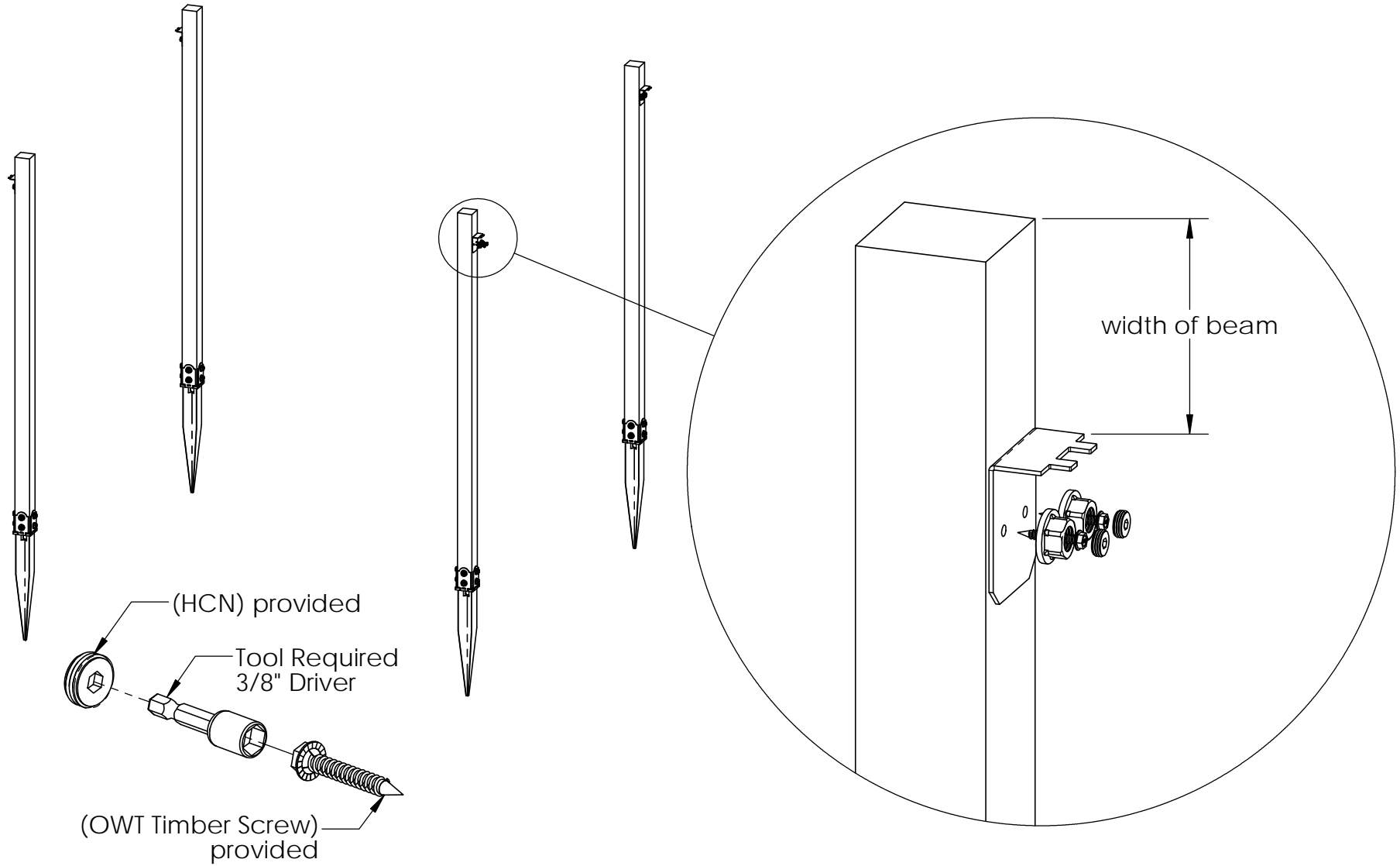
site plan

OZCO Project #318 IW- 12x12 Vineyard Pergola 4x4 Post Anchors



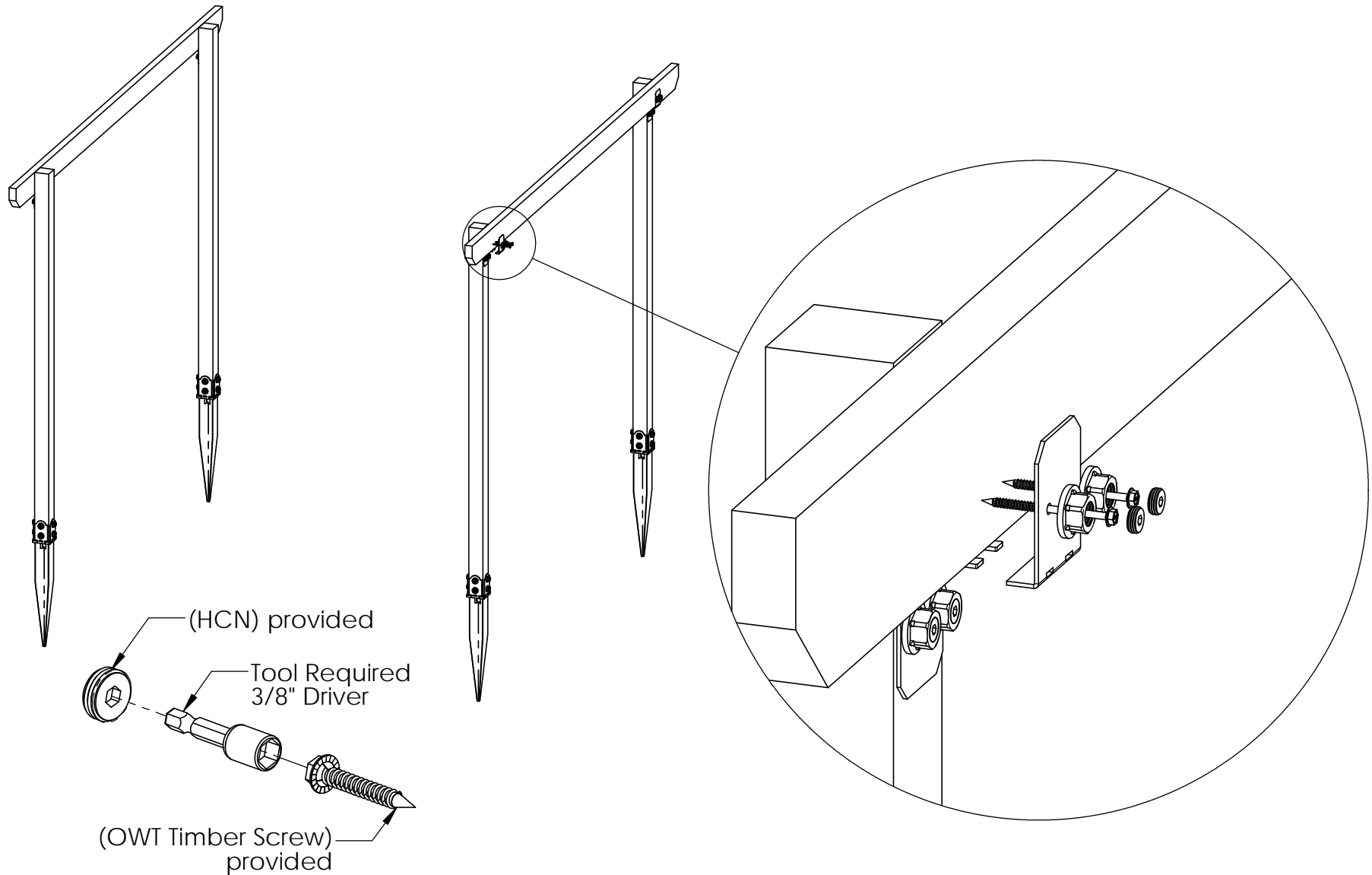
step 1

OZCO Project #318 IW- 12x12 Vineyard Pergola 4x4 Post Anchors



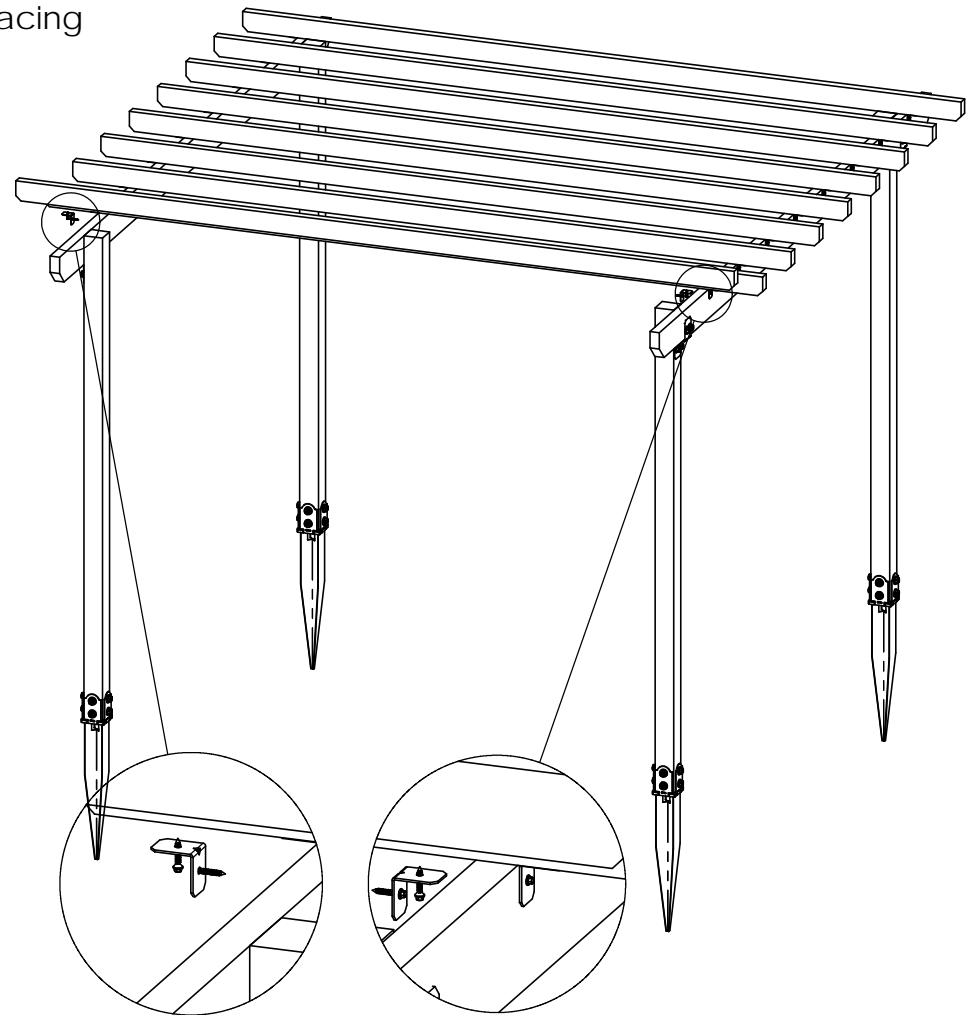
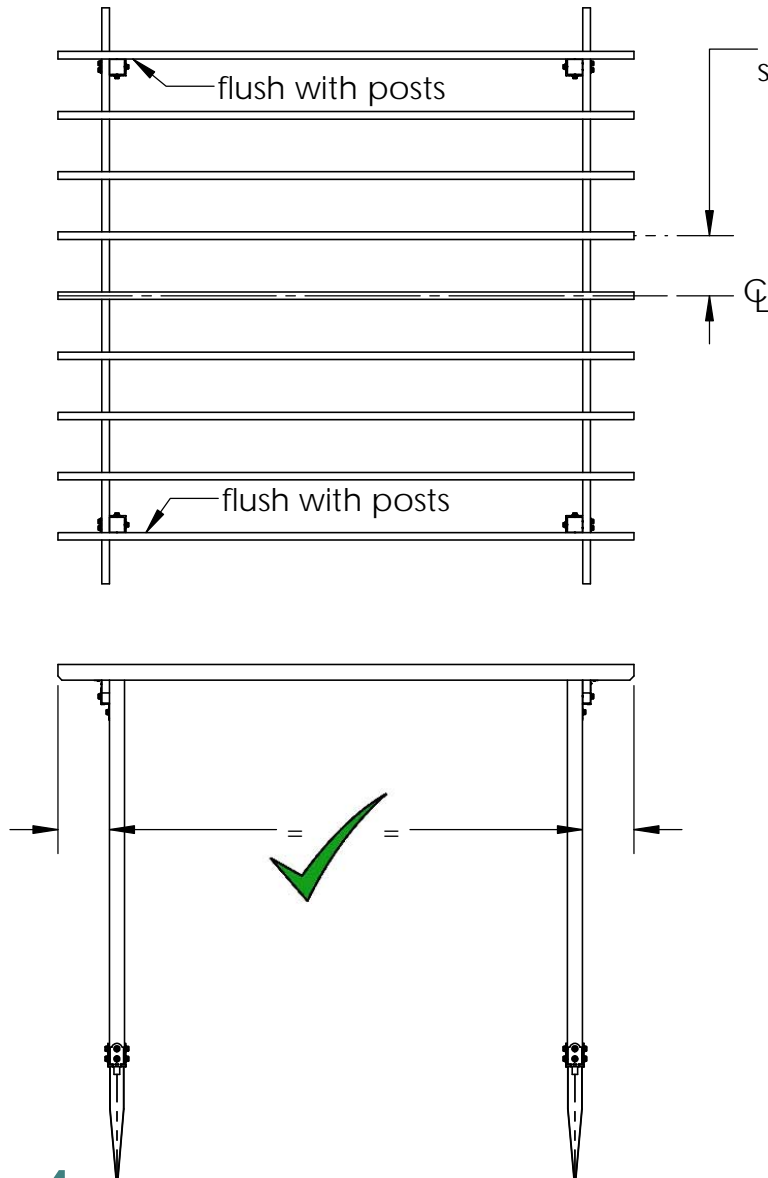
step 2

OZCO Project #318 IW- 12x12 Vineyard Pergola 4x4 Post Anchors



step 3

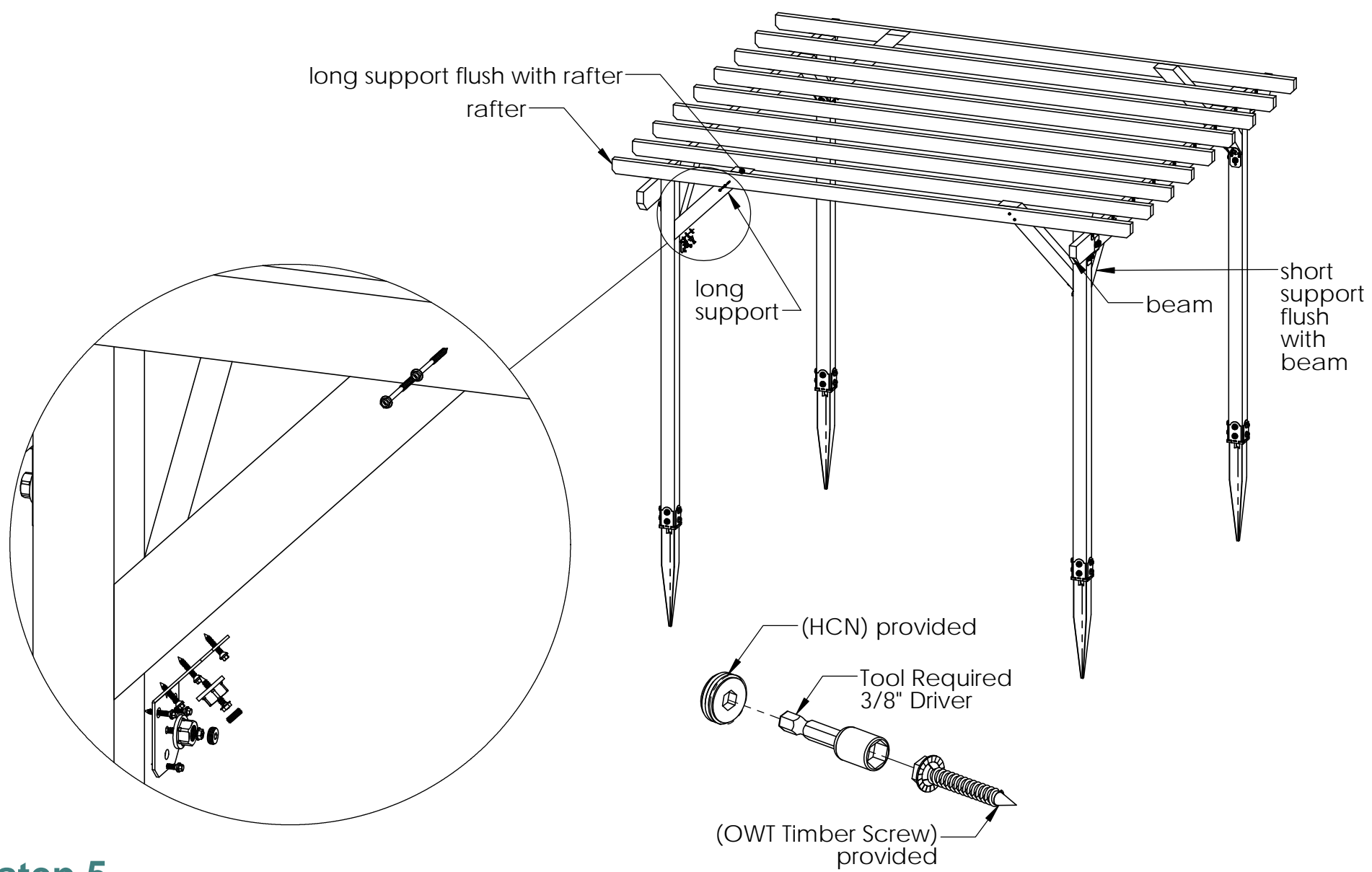
OZCO Project #318 IW- 12x12 Vineyard Pergola 4x4 Post Anchors



install on both ends
each rafter has 2 clips

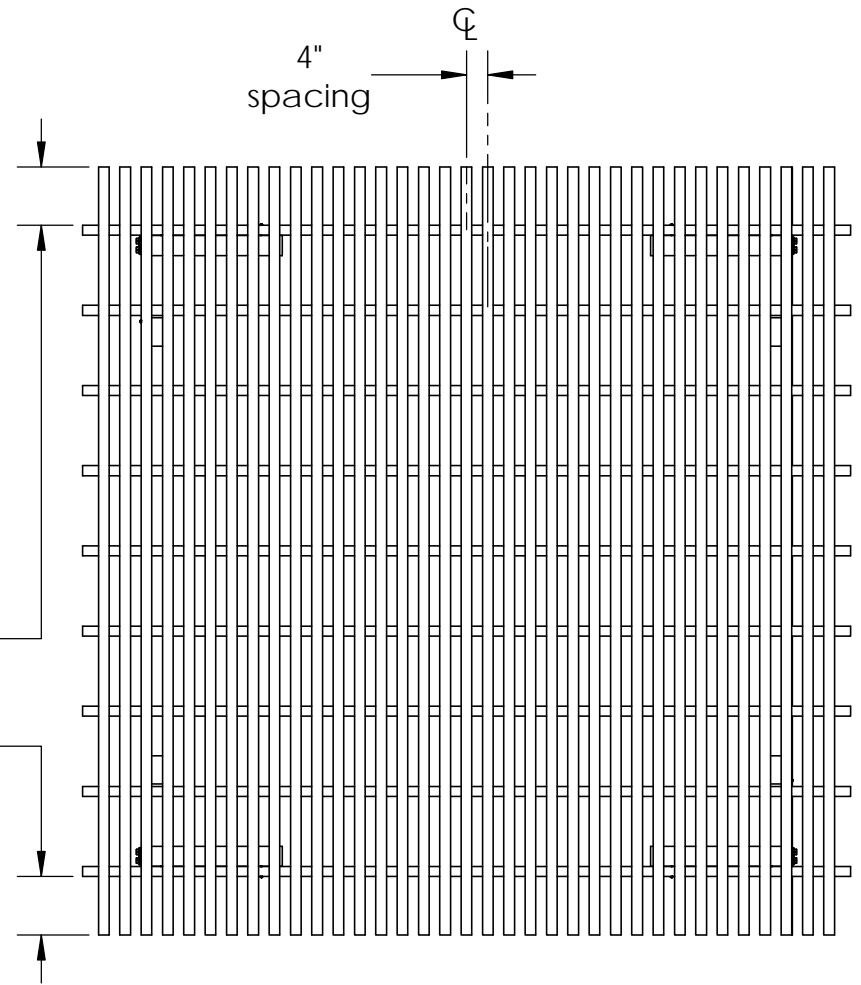
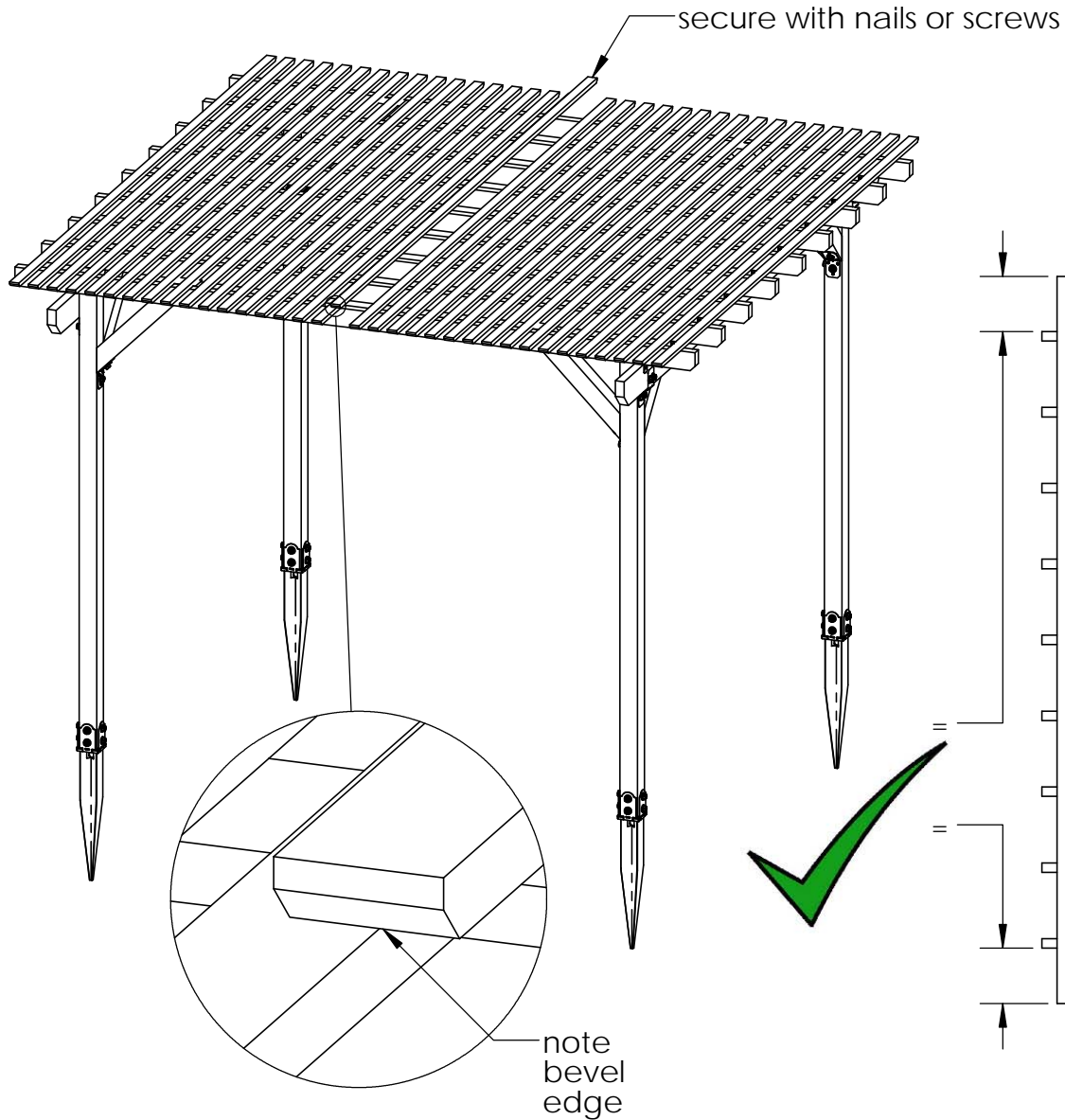
step 4

OZCO Project #318 IW- 12x12 Vineyard Pergola 4x4 Post Anchors



step 5

OZCO Project #318 IW- 12x12 Vineyard Pergola 4x4 Post Anchors



step 6

OZCO Project #318 IW- 12x12 Vineyard Pergola 4x4 Post Anchors



Translucent

OZCO Project #318 IW- 12x12 Vineyard
Pergola 4x4 Post Anchors

V2.00 - Installation Instructions, Specifications and Project Plans are effective 6/1/2017 . This information is updated periodically and should not be relied upon after 2 years from 6/1/2017 . Please visit OZCOBP.com to get current information.